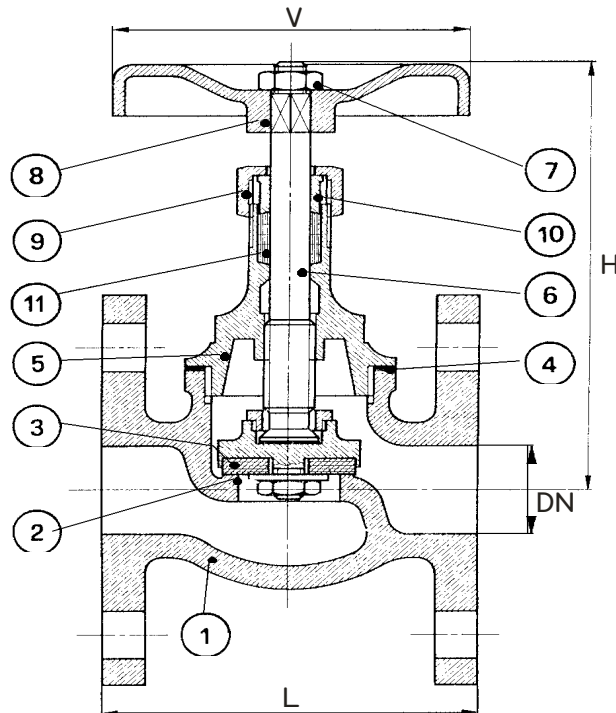


VALVOLA A GLOBO – VITONE AVVITATO – ASTA SALIENTE – BRONZO – PN 16

GLOBE VALVE – SCREWED BONNET - RISING STEM – BRONZE – PN 16



WORKING PRESSURES
W.O.G. NON SHOCK
225 p.s.i.

CONFORM TO: BS 5154
MSS SP 80
ANSI B16.24 / BS 1560 3.3

OPTIONAL FEATURES : 1) SCREW DOWN NO RETURN

	DESCRIZIONE	DESCRIPTION	PTFE DISC
1	CORPO	BODY	BRONZE ASTM B62
2	SEDE INTEGRALE	INTEGRAL SEAT	BRONZE ASTM B62
3	OTTURATORE	DISC	P.T.F.E.
4	GUARNIZIONE	PACKING	GRAPHITE TEFLONED
5	VITONE	BONNET	ASTM B283
6	ASTA	STEM	ASTM B16
7	DADO	NUT	ZINC PLATED STEEL
8	VOLANTINO	HANDWHEEL	ASTM A105 Z.P.
9	DADO PREMISTOPPA	GLAND NUT	ASTM B16
10	PREMISTOPPA	THRUST WASHER	BRONZE ASTM B62
11	BADERNA	STEM PACKING	GRAPHITE TEFLONED

FLANGED ENDS: ANSI B16.5 (ANSI B16.24 THICKNESS) 150 FF or DIN 2501 PN 6-10-16

SIZE	1 1/4"
DN	32
L	108
H(OPEN)	130
V	80
Kg	3.60