



## Plastic Level Switches

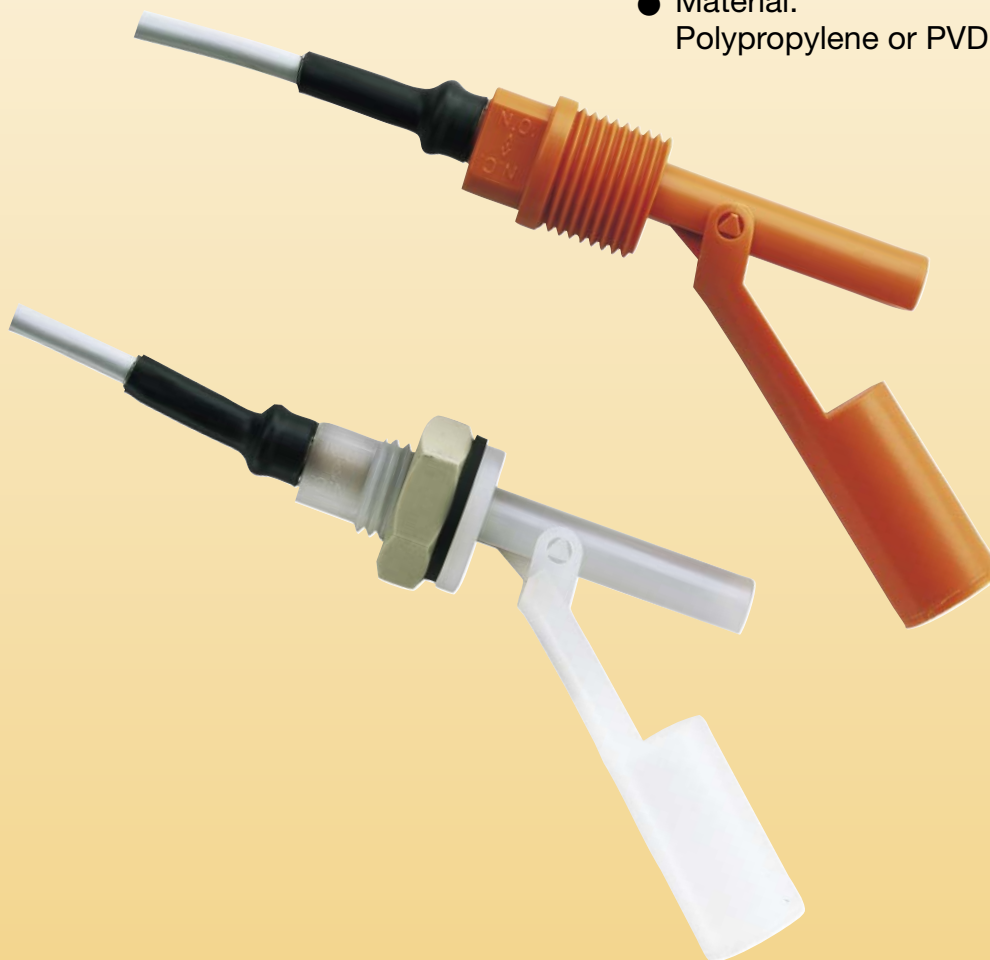


measuring  
•  
monitoring  
•  
analysing

NKP



- $p_{max}$ : 10 bar;  $t_{max}$ : 100 °C
- Connection:  
G 1/2, 1/2" NPT, M 16
- Material:  
Polypropylene or PVDF



N1

KOBOLD companies worldwide:

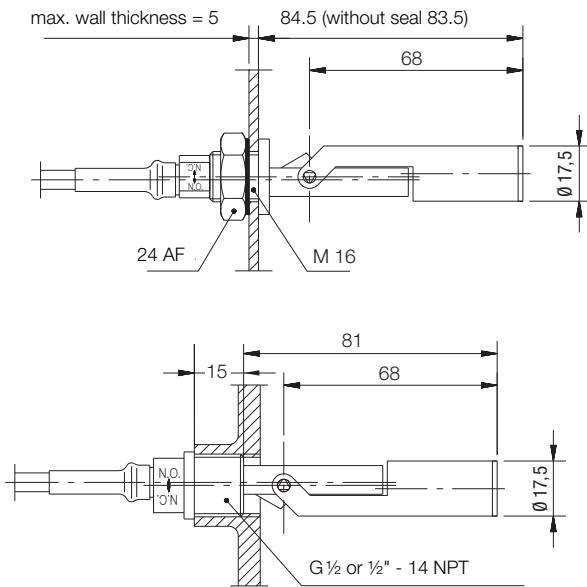
ARGENTINA, AUSTRIA, BELGIUM, BULGARIA, CANADA, CHILE, CHINA, COLOMBIA, CZECHIA, DOMINICAN REPUBLIC, EGYPT, FRANCE, GERMANY, GREAT BRITAIN, HUNGARY, INDIA, INDONESIA, ITALY, MALAYSIA, MEXICO, NETHERLANDS, PERU, POLAND, ROMANIA, SINGAPORE, SOUTH KOREA, SPAIN, SWITZERLAND, TAIWAN, THAILAND, TUNISIA, TURKEY, USA, VIETNAM

KOBOLD Messring GmbH  
Nordring 22-24  
D-65719 Hofheim/Ts.  
Head Office:  
+49(0)6192 299-0  
+49(0)6192 23398  
info.de@kobold.com  
www.kobold.com

**Description**

The plastic level switch NKP is designed for economical control of liquids in vessels. Many industrial applications can be realized with two different plastic versions each with three different mountings. The switch is remarkable for its maintenance-free design, small dimensions and reed contacts with high switch capacity. The switch is mounted on the side of the vessel. A hinged plastic float with a magnet floats up and down through the liquid level. The encapsulated reed contact is operated by the magnet. The switching function (N/O contact/N/C contact) is determined by the installation position. The switching function is reversed by simply rotating the switch through 180°.

**Dimensions**



**Applications**

- Car washes
- Cleaning machines
- Plastic tanks

**Order Details** (Example: NKP-14011)

Model	Connection	Housing material	Cable	Certificate
NKP-	1 = G 1/2 2 = 1/2" NPT 6 = M 16	401 = Polypropylene 501 = PVDF	1 = 1 m PVC cable 1.6 = 1.6 m PVC cable 3 = 3 m PVC cable Y = special length*	empty = without C = cCSAus

\*Please specify in the clear text

**Technical Details**

- Switch housing: NKP-14..., -24..., -64...: polypropylene  
NKP-15..., -25..., -65...: PVDF
- Connections: NKP-1...: G 1/2  
NKP-2...: 1/2" NPT  
NKP-6...: M 16
- Float: NKP-14..., -24..., -64...: polypropylene  
NKP-15..., -25..., -65...: PVDF
- Seal: NKP-6401: NBR  
NKP-6501: FPM  
alternative: EPDM
- Counter nut: NKP-6...: polypropylene
- Max. temperature: NKP-14..., NKP-24..., NKP-64...: 80 °C  
NKP-15..., NKP-25..., NKP-65...: 100 °C
- Max. pressure: 10 bar
- Installation position: horizontal  
(±30° from the horizontal plane)
- Contact components: N/O contact / N/C contact  
(depending on the installation)
- Electr. connection: stranded cable AWG20, 2-core, PVC,  
1 m (PUR-cable and silicone cable upon request)
- Switch capacity: max. 230 V<sub>AC/DC</sub>  
max. 40 VA, max. 2 A  
(option cCSAus: 0.17 A, 230 V<sub>AC/DC</sub>,  
2 A, 20 V<sub>AC/DC</sub>, max. 40 W)
- Contact resistance: max. 80 mΩ
- Min. electric strength: 400 V<sub>DC</sub> / 1 s
- Medium density: NKP-14..., -24..., -64...: >0.6 kg/dm<sup>3</sup>  
NKP-15..., -25..., -65...: >0.95 kg/dm<sup>3</sup>
- Protection: IP 68

