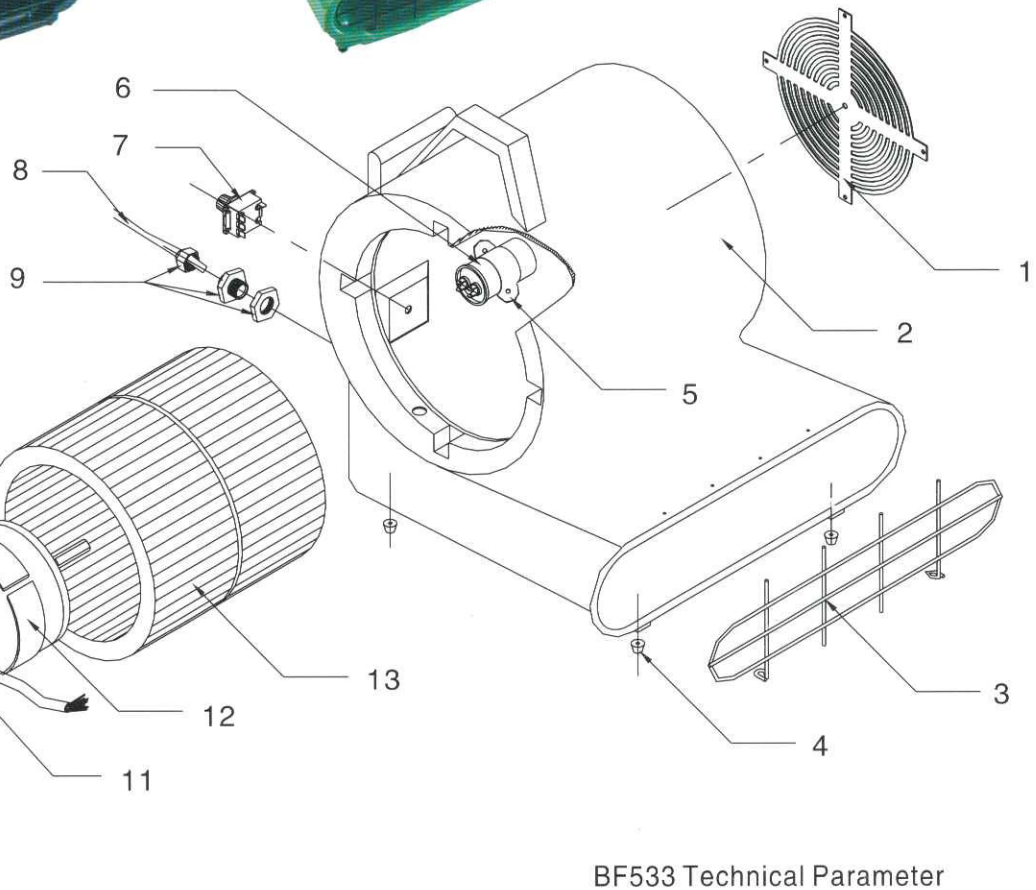


# BLOWER



BF533 Technical Parameter

Construction	Rotocast polyethylene cover
Voltage	220-240V~ 50/60Hz
Current	5A
Power	Input power:850W Output power:550W
Net weight	19Kg
Switch	Three-speed
RPM	L1080-M1200-H1350

- Its meshy cover makes it easy to avoid sucking sundries.
- Made from high quality materials and with a three-speed switch. So you can adjust the air flow randomly to improve your working efficiency.
- The polyethylene out cover can protect the components inside the machine commendably, which makes the machine safe and durable.
- It is suitable for hotel, restaurant, factory, warehouse and all kinds of wet place.

# THE INSTRUCTION OF BLOWER

## SAFETY RULES AND CAUTIONS

- We strongly recommend to reading the user instruction carefully before starting any operation.
- Check the cable carefully to ensure the cable is ok before using.
- If the cable is broken or there is something wrong with the other things, then they must be replaced or fixed by the service department or similar professional in order to avoiding bad aftermath.
- Don't use the blower in water. It will be very dangerous.
- Don't plug up the meshy cover with cloth or loose fabric. It will make the blower overheated.
- Children are not allowed to play on or around the operating blower.
- Don't use the blower in outdoor when it is raining.
- Don't put any tool or other thing into the blower.
- Don't use the blower in the place full of chemicals.
- The blower must be switched off and stop running before any cleaning or maintenance.
- The motor must be always dry. If is wet or be affected with damp, it must be dried before operation.

## PURPOSE

- Cooling and exchanging the air of office, meeting room etc.
- Make the wet carpet, floor mat, fabric and wall etc dry quickly.

## USER INSTRUCTIONS

### ● COOLING

1. Make sure the object which be cooled is weight. Otherwise it must be fixed before be cooled to avoid getting lost or injuring people.
2. Turn the Blower to the object then switch on it. Choose the proper speed base on the size and weight of the object.

### ● EXCHANGE AIR

1. Remove all the light things before operating.
2. Tilt the blower upwise at 45-90° and place it towards the room ventilating channel. Then turn on the blower to circulate the air of the room.

### ● DRY THE FLOOR AND CARPET

1. Make sure there is no plastic or light thing on the floor of carpet.
2. Put the blower stands in a corner of the carpet or floor dry quickly.
3. If there is wet thing under the wet carpet, please take it out and then dry it solely.