



Industrial Resistance Thermometers according to DIN

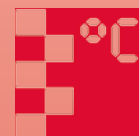


measuring
•
monitoring
•
analysing

MWD



- Measuring range: -198...+600°C
- Pt100 sensor: class F0.3 (B), class F0.15 (A), F0.1 (1/3 DIN), F0.03 (1/10 DIN) or cryogenic
- Output: resistance or analogue 4...20 mA
- Option: head transmitter with HART® -protocol or Profibus® /Fieldbus®, display
- Protection tube/ measuring insert material: stainless steel 1.4404, others on request



T2

KOBOLD companies worldwide:

AUSTRALIA, AUSTRIA, BELGIUM, BULGARIA, CANADA, CHINA, CZECHIA, FRANCE, GERMANY, GREAT BRITAIN, HUNGARY, INDIA, INDONESIA, ITALY, MALAYSIA, MEXICO, NETHERLANDS, PERU, POLAND, REPUBLIC OF KOREA, SPAIN, SWITZERLAND, THAILAND, TUNISIA, TURKEY, USA, VIETNAM

KOBOLD Messring GmbH
Nordring 22-24
D-65719 Hofheim/Ts.
Head Office:
+49(0)6192 299-0
+49(0)6192 23398
info.de@kobold.com
www.kobold.com



Description

KOBOLD temperature assemblies comprise a rugged installation fitting made of stainless steel with thread, flange or weld-on process connection, a connection head and a measuring element.

A Pt100 temperature sensor according to IEC60751, class F0.15 (A), F0.1 (1/3 DIN), F0.03 (1/10 DIN) or cryogenic is filled in the measuring element. On request, the measuring element can be removable, thus, allowing to remove the measuring element without interrupting the process as the customised thermowell remains in the installation and seals the process.

Alternatively these sensors can be designed as single or double resistance thermometers, except the 4-wire version, which can only be built with one Pt100 due to lack of space.

As an option the resistance thermometers can be supplied with a head transmitter. Transmitter with a standard 4-20 mA signal, with HART® protocol or with Profibus®/Fieldbus® are there to choose from.

Head Transmitter

Resistance thermometers with head transmitter are used whenever a measuring signal must be transported long distance without any disturbance.

The head transmitter which is encapsulated in epoxies' resin is located right in the connection head and delivers a temperature-linear output signal of 4-20 mA. The head transmitter is available with standardised communication systems just like HART® protocol or Profibus®/Fieldbus®.

Applications

- HVAC
- Machinery
- Chemical and petrochemical industries
- Heating/cooling processes
- Industrial uses in general

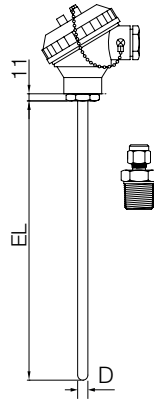
The resistance thermometers with thread and flange connection are favourably used for the temperature measurement in liquids, solids and gaseous media. The reliable water tightness of these installation methods for gauge pressure and vacuum is an important criteria for selection.

Technical Details

- Measuring principle: temperature depending resistor
- Measuring range: -70...+250 °C
-70...+400 °C
-70...+600 °C
-198...+100 °C
- Sensor: Pt100 single or double sensor (1 x Pt100 or 2 x Pt100) IEC 751
- Accuracy: Class F0.15 (A), F0.1 (1/3 DIN), F0.03 (1/10 DIN) or cryogenic
- Ambient temperature: -40...+150 °C
with ceramic terminal block (without transmitter)
-40...+85 °C (with transmitter)
-20...+70 °C (with LCD display)
-20...+80 °C (with LED display)
- Connection head: BR screwed cover, with chain, DIN B cover with two screws, BUZ, hinged cover
BUZ-H, high model hinged cover and others
- Electrical connection: M20x1.5 standard (others on request)
- Materials:
- Sensor: stainless steel 1.4404
 - Connection head: aluminium, painted, stainless steel, and PP (others on request)
 - Terminal block: ceramic (without transmitter)
- Process connection:
- Thread: G 1/4, G 1/2, G 3/4, G 1 male, 1/4" NPT, 1/2" NPT, 3/4" NPT, 1" NPT male
 - DIN-flange: DN 15, 20, 25, 32, 40, 50
PN 10, 16, 40
 - ANSI flange: 1/2", 3/4", 1", 1 1/2", 2" class 150, class 300
- Max. pressure: 30 bar
- Sensor wiring: 2, 3 or 4-wire
- Output: resistance value
- Protection: connection head IP54... 68 depending on cable gland

Model	Measuring insert exchangeable	Protection tube / P _{max}
MWD-C, E, D	yes	yes / 30 bar
MWD-F, G, W ¹⁾	yes	no / P _{atm}
MWD-A, B, L	no	yes / 30 bar

¹⁾ Model F/G/W only with thermowell TWL-0



Model MWD-A compact compression fitting

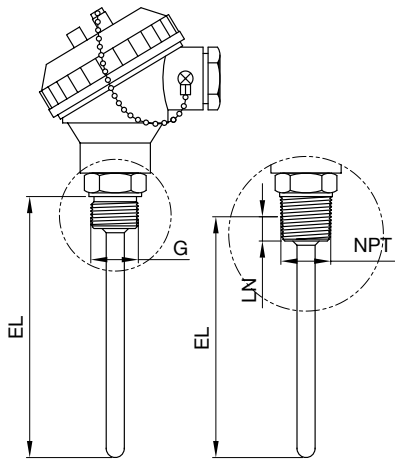
Specifications:

- Sensor element: Pt100 3-wire class F0.3 (B), F0.15 (A), F0.1 (1/3 DIN), F0.03 (1/10 DIN), cryogenic, and others
- Electrical connection: M20x1.5
- Max. pressure: 30 bar (at 20°C)
- Protection tube: according to DIN 43772, filled with magnesium oxide (MgO)
- Material: stainless steel 1.4404 (316L)

Model	Protection tube diameter (D)	Process connection	Sensor type/ category	RTD wiring	Terminal head	Head transmitter	Options
MWD-A	4 = tube Ø4	000 = none K15 = compression fitting G1/2-M C15 = compression fitting 1/2" NPT-M XXX = special options	A = 1 x Pt100 class F0.3 (B) (-70...+250 °C) B = 2 x Pt100 class F0.3 (B) (-70...+250 °C) C = 1 x Pt100 class F0.15 (A) (-70...+250 °C) D = 2 x Pt100 class F0.15 (A) (-70...+250 °C) E = 1 x Pt100 class F0.3 (B) (-70...+400 °C) F = 2 x Pt100 class F0.3 (B) (-70...+400 °C) G = 1 x Pt100 class F0.15 (A) (-70...+400 °C) H = 2 x Pt100 class F0.15 (A) (-70...+400 °C) I = 1 x Pt100 class F0.3 (B) (-70...+600 °C) J = 2 x Pt100 class F0.3 (B) (-70...+600 °C) K = 1 x Pt100 class F0.15 (A) (-70...+600 °C) L = 2 x Pt100 class F0.15 (A) (-70...+600 °C) M = 1 x Pt100 class F0.1 (1/3 DIN) (-70...+250 °C) N = 1 x Pt100 class F0.03 (1/10 DIN) (-70...+250 °C) O = 1 x Pt100 class F0.1 (1/3 DIN) (-70...+400 °C) P = 1 x Pt100 class F0.03 (1/10 DIN) (-70...+400 °C) Q = 1 x Pt100 class cryogenic (-198...+100 °C) X = special options	2 = 2-wire 3 = 3-wire 4 ³⁾ = 4-wire	2 ⁵⁾ = Without head, M16x1,5 male thread, EL: 250 mm G = screw-cap with chain, aluminium I = screw-cap with chain, stainless steel 1.4401 F = screw-cap, PP M ¹⁾ = mini head screw-cap with chain, aluminium K = head screw-cap, stainless steel 1.4401 B = DIN B screwed cover, aluminium Z = BUZ hinged cover, aluminium H = BUZ-H high model with hinged cover, aluminium E ¹⁾ = aluminium head with LCD display and HART [®] transmitter included X = special options	0 = without, only with ceramic terminal A ²⁾⁴⁾ = 5333D transmitter 4-20 mA 2-wire B ²⁾⁴⁾ = 5337D transmitter 4-20 mA with HART [®] protocol 2-wire C ²⁾⁴⁾ = 5350A transmitter Profibus [®] /Fieldbus [®] D ⁴⁾ = prepared for subsequent mounting of transmitter, 150 mm flying leads	0 = without Y = acc. to specifications

¹⁾ Only with head transmitter option 0 / only sensor type 1xPt100 ²⁾ Please specify the measuring range in clear text, while ordering ³⁾ With 1xPt100 only
⁴⁾ For options A, B, C, D choose RTD wiring code »3« ⁵⁾ Only for DTE display

Note: Please specify length »EL« in clear text, while ordering



Model MWD-L compact fixed thread

Specifications:

Sensor element: Pt100 3-wire class F0.3 (B), F0.15 (A), F0.1 (1/3 DIN), F0.03 (1/10 DIN), cryogenic, and others

Electrical connection: M20x1.5

Max. pressure: 30 bar (at 20°C)

Protection tube: according to DIN 43772, filled with magnesium oxide (MgO) stainless steel 1.4404 (316L)

Material:

For NPT thread:

LN = screw-in-length by hand

6 mm at 1/4" NPT

8.1 mm at 1/2" NPT

8.1 mm at 3/4" NPT

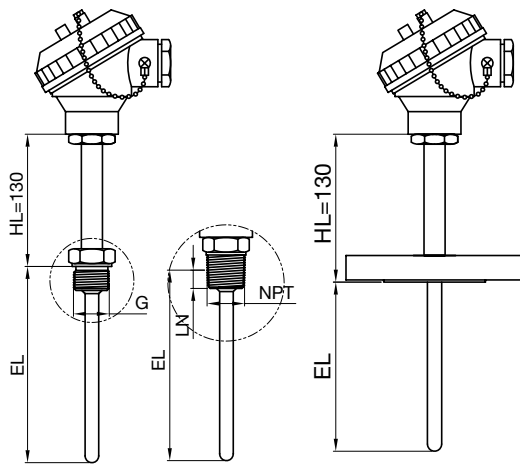
9 mm at 1" NPT

Model	Protection tube diameter (D)	Process connection	Sensor type/ category	RTD wiring	Terminal head	Head transmitter	Options
MWD-L	3 = tube Ø3 4 = tube Ø4 5 = tube Ø5 6 = tube Ø6 8 = tube Ø8 9 = tube Ø9 A = tube Ø10 C = tube Ø12 X = special options	G08 = G 1/4"-M G15 = G 1/2"-M G20 = G 3/4"-M G25 = G1"-M N08 = 1/4" NPT-M N15 = 1/2" NPT-M N20 = 3/4" NPT-M N25 = 1" NPT-M XXX = special options	A = 1 x Pt100 class F0.3 (B) (-70 ... +250 °C) B = 2 x Pt100 class F0.3 (B) (-70 ... +250 °C) C = 1 x Pt100 class F0.15 (A) (-70 ... +250 °C) D = 2 x Pt100 class F0.15 (A) (-70 ... +250 °C) E = 1 x Pt100 class F0.3 (B) (-70 ... +400 °C) F = 2 x Pt100 class F0.3 (B) (-70 ... +400 °C) G = 1 x Pt100 class F0.15 (A) (-70 ... +400 °C) H = 2 x Pt100 class F0.15 (A) (-70 ... +400 °C) I = 1 x Pt100 class F0.3 (B) (-70 ... +600 °C) J = 2 x Pt100 class F0.3 (B) (-70 ... +600 °C) K = 1 x Pt100 class F0.15 (A) (-70 ... +600 °C) L = 2 x Pt100 class F0.15 (A) (-70 ... +600 °C) M = 1 x Pt100 class F0.1 (1/3 DIN) (-70 ... +250 °C) N = 1 x Pt100 class F0.03 (1/10 DIN) (-70 ... +250 °C) O = 1 x Pt100 class F0.1 (1/3 DIN) (-70 ... +400 °C) P = 1 x Pt100 class F0.03 (1/10 DIN) (-70 ... +400 °C) Q = 1 x Pt100 class cryogenic (-198 ... +100 °C) X = special options	2 = 2-wire 3 = 3-wire 4 ³⁾ = 4-wire	G = screw-cap with chain, aluminium I = screw-cap with chain, stainless steel 1.4401 F = screw-cap, PP M ¹⁾ = mini head screw-cap with chain, aluminium K = head screw-cap, stainless steel 1.4401 B = DIN B screwed cover, aluminium Z = BUZ hinged cover, aluminium H = BUZ-H high model with hinged cover, aluminium E ¹⁾ = aluminium head with LCD display and HART [®] transmitter included X = special options	0 = without, only with ceramic terminal A ²⁴⁾ = 5333D transmitter 4-20mA 2-wire B ²⁴⁾ = 5337D transmitter 4-20mA with HART [®] protocol 2-wire C ²⁴⁾ = 5350A transmitter Profibus [®] /Fieldbus [®] D ⁴⁾ = prepared for subsequent mounting of transmitter, 150 mm flying leads	0 = without Y = acc. to specifications

¹⁾ Only with head transmitter option 0 / only sensor type 1xPt100 ²⁾ Please specify the measuring range in clear text, while ordering

³⁾ With 1xPt100 only ⁴⁾ For options A, B, C, D choose RTD wiring code '3'

Note: Please specify length 'EL' in clear text, while ordering



Model MWD-B compact threaded or flanged with neck pipe

Specifications:

Sensor element: Pt100 3-wire class F0.3 (B), F0.15 (A), F0.1 (1/3 DIN), F0.03 (1/10 DIN), cryogenic, and others
 Neck pipe HL: 130 mm
 Electrical connection: M20x1.5
 Max. pressure: 30 bar (at 20°C)
 Protection tube: according to DIN 43772, filled with magnesium oxide (MgO)
 Material: stainless steel 1.4404 (316L)

For NPT thread

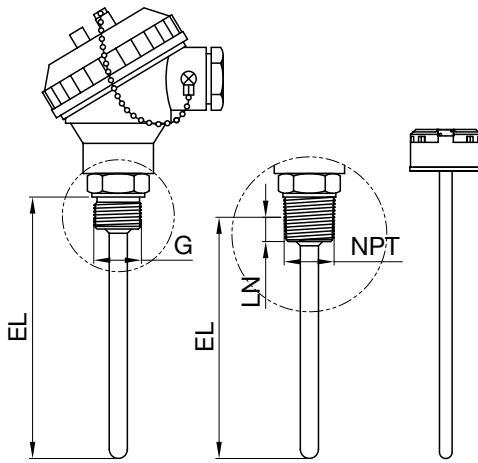
LN = screw-in-length by hand
 6 mm at 1/4" NPT
 8.1 mm at 1/2" NPT
 8.1 mm at 3/4" NPT
 9 mm at 1" NPT

Model	Protection tube diameter (D)	Process connection	Sensor type/ category	RTD wiring	Terminal head	Head transmitter	Options
MWD-B	4 = tube Ø4 5 = tube Ø5 6 = tube Ø6 8 = tube Ø8 9 = tube Ø9 A = tube Ø10 C = tube Ø12 X = special options	G08 = G 1/4"-M G15 = G 1/2"-M G20 = G 3/4"-M G25 = G 1"-M N08 = 1/4" NPT-M N15 = 1/2" NPT-M N20 = 3/4" NPT-M N25 = 1" NPT-M F15 = DN15 PN16 F20 = DN20 PN16 F25 = DN25 PN16 F32 = DN32 PN16 F40 = DN40 PN16 F50 = DN50 PN16 H15 = DN15 PN40 H20 = DN20 PN40 H25 = DN25 PN40 H32 = DN32 PN40 H40 = DN40 PN40 H50 = DN50 PN40 A15 = 1/2" CL150 RF A20 = 3/4" CL150 RF A25 = 1" CL150 RF A40 = 1 1/2" CL150 RF A50 = 2" CL150 RF B15 = 1/2" CL300 RF B20 = 3/4" CL300 RF B25 = 1" CL300 RF B40 = 1 1/2" CL300 RF B50 = 2" CL300 RF XXX = special options	A = 1 x Pt 100 class F0.3 (B) (-70 ... +250 °C) B = 2 x Pt 100 class F0.3 (B) (-70 ... +250 °C) C = 1 x Pt 100 class F0.15 (A) (-70 ... +250 °C) D = 2 x Pt 100 class F0.15 (A) (-70 ... +250 °C) E = 1 x Pt 100 class F0.3 (B) (-70 ... +400 °C) F = 2 x Pt 100 class F0.3 (B) (-70 ... +400 °C) G = 1 x Pt 100 class F0.15 (A) (-70 ... +400 °C) H = 2 x Pt 100 class F0.15 (A) (-70 ... +400 °C) I = 1 x Pt 100 class F0.3 (B) (-70 ... +600 °C) J = 2 x Pt 100 class F0.3 (B) (-70 ... +600 °C) K = 1 x Pt 100 class F0.15 (A) (-70 ... +600 °C) L = 2 x Pt 100 class F0.15 (A) (-70 ... +600 °C) M = 1 x Pt 100 class F0.1 (1/3 DIN) (-70 ... +250 °C) N = 1 x Pt 100 class F0.03 (1/10 DIN) (-70 ... +250 °C) O = 1 x Pt 100 class F0.1 (1/3 DIN) (-70 ... +400 °C) P = 1 x Pt 100 class F0.03 (1/10 DIN) (-70 ... +400 °C) Q = 1 x Pt 100 class cryogenic (-198 ... +100 °C) X = special options	2 = 2-wire 3 = 3-wire 4 ³⁾ = 4-wire	G = screw-cap with chain, aluminium I = screw-cap with chain, stainless steel 1.4401 F = screw-cap, PP M ¹⁾ = mini head screw-cap with chain, aluminium K = head screw-cap, stainless steel 1.4401 B = DIN B screwed cover, aluminium Z = BUZ hinged cover, aluminium H = BUZ-H high model with hinged cover, aluminium E ¹⁾ = aluminium head with LCD display and HART [®] transmitter included X = special options	0 = without, only with ceramic terminal A ²⁾⁴⁾ = 5333D transmitter 4 - 20 mA 2-wire B ²⁾⁴⁾ = 5337D transmitter 4 - 20 mA with HART [®] protocol 2-wire C ²⁾⁴⁾ = 5350A transmitter Profibus [®] /Fieldbus [®] D ⁴⁾ = prepared for subsequent mounting of transmitter, 150 mm flying leads	0 = without Y = acc. to specifications

¹⁾ Only with head transmitter option 0 / only sensor type 1xPt100 ²⁾ Please specify the measuring range in clear text, while ordering ³⁾ With 1xPt100 only

⁴⁾ For options A, B, C, D choose RTD wiring code '3'

Note: Please specify length 'EL' in clear text, while ordering



Model MWD-C compact with removable measuring insert

Specifications:

Sensor element: Pt100 3-wire class F0.3 (B), F0.15 (A), F0.1 (1/3 DIN), F0.03 (1/10 DIN), cryogenic, and others

Electrical connection: M20x1.5

Max. pressure: 30 bar (at 20°C)

Protection tube: according to DIN 43772

Material: stainless steel 1.4404 (316L)

Measuring insert: filled with magnesium oxide (MgO)

For NPT thread

LN = screw-in-length by hand

6 mm at 1/4" NPT

8.1 mm at 1/2" NPT

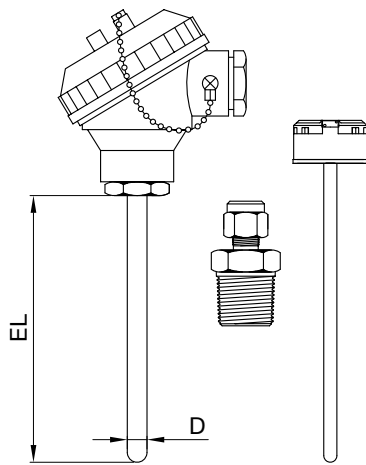
8.1 mm at 3/4" NPT

9 mm at 1" NPT

Model	Protection tube diameter (D)	Process connection	Sensor type/ category	RTD wiring	Terminal head	Head transmitter	Options
MWD-C	5 = tube Ø5 6 = tube Ø6 8 = tube Ø8 9 = tube Ø9 A = tube Ø10 C = tube Ø12 X = special options	G08 = G 1/4"-M G15 = G 1/2"-M G20 = G 3/4"-M G25 = G 1"-M N08 = 1/4" NPT-M N15 = 1/2" NPT-M N20 = 3/4" NPT-M N25 = 1" NPT-M XXX = special options	A = 1 x Pt100 class F0.3 (B) (-70 ... +250 °C) B = 2 x Pt100 class F0.3 (B) (-70 ... +250 °C) C = 1 x Pt100 class F0.15 (A) (-70 ... +250 °C) D = 2 x Pt100 class F0.15 (A) (-70 ... +250 °C) E = 1 x Pt100 class F0.3 (B) (-70 ... +400 °C) F = 2 x Pt100 class F0.3 (B) (-70 ... +400 °C) G = 1 x Pt100 class F0.15 (A) (-70 ... +400 °C) H = 2 x Pt100 class F0.15 (A) (-70 ... +400 °C) I = 1 x Pt100 class F0.3 (B) (-70 ... +600 °C) J = 2 x Pt100 class F0.3 (B) (-70 ... +600 °C) K = 1 x Pt100 class F0.15 (A) (-70 ... +600 °C) L = 2 x Pt100 class F0.15 (A) (-70 ... +600 °C) M = 1 x Pt100 class F0.1 (1/3 DIN) (-70 ... +250 °C) N = 1 x Pt100 class F0.03 (1/10 DIN) (-70 ... +250 °C) O = 1 x Pt100 class F0.1 (1/3 DIN) (-70 ... +400 °C) P = 1 x Pt100 class F0.03 (1/10 DIN) (-70 ... +400 °C) Q = 1 x Pt100 class cryogenic (-198 ... +100 °C) X = special options	For NPT thread LN = screw-in-length by hand 6 mm at 1/4" NPT 8.1 mm at 1/2" NPT 8.1 mm at 3/4" NPT 9 mm at 1" NPT 2 = 2-wire 3 = 3-wire 4 ³⁾ = 4-wire	G = screw-cap with chain, aluminium I = screw-cap with chain, stainless steel 1.4401 F = screw-cap, PP K = head screw-cap, stainless steel 1.4401 B = DIN B screwed cover, aluminium Z = BUZ hinged cover, aluminium H = BUZ-H high model with hinged cover, aluminium X = special options	0 = without, only with ceramic terminal A ²⁴⁾ = 5333D transmitter 4-20mA 2-wire B ²⁴⁾ = 5337D transmitter 4-20mA with HART [®] protocol 2-wire C ²⁴⁾ = 5350A transmitter Profibus [®] /Fieldbus [®] D ⁴⁾ = prepared for subsequent mounting of transmitter, 150 mm flying leads	0 = without Y = acc. to specifications

²⁾ Please specify the measuring range in clear text, while ordering ³⁾ With 1xPt100 only ⁴⁾ For options A, B, C, D choose RTD wiring code '3'

Note: Please specify length 'EL' in clear text, while ordering



Model MWD-E compact with removable measuring insert and compressing fitting

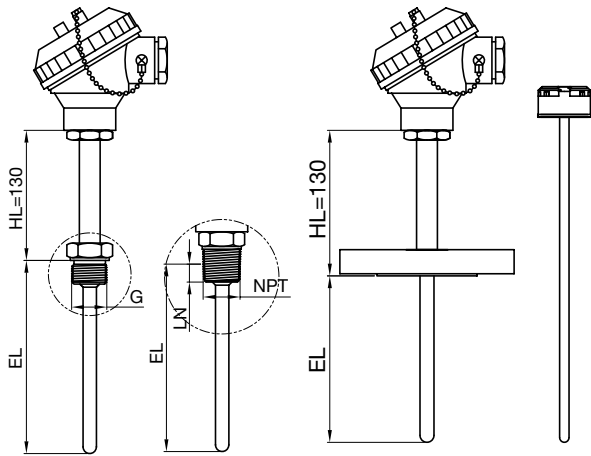
Specifications:

Sensor element: Pt100 3-wire class F0.3 (B), F0.15 (A), F0.1 (1/3 DIN), F0.03 (1/10 DIN), cryogenic, and others
 Electrical connection: M20x1.5
 Max. pressure: 30 bar (at 20 °C)
 Protection tube: according to DIN 43772
 Material: stainless steel 1.4404 (316L)
 Measuring insert: filled with magnesium oxide (MgO)

Model	Protection tube diameter (D)	Process connection	Sensor type/ category	RTD wiring	Terminal head	Head transmitter	Options
MWD-E	5 = tube Ø5 6 = tube Ø6 8 = tube Ø8 9 = tube Ø9 A = tube Ø10 C = tube Ø12 X = special options	000 = none K15 = compression fitting G1/2-M C15 = compression fitting 1/2" NPT-M XXX = special options	A = 1 x Pt 100 class F0.3 (B) (-70 ... +250 °C) B = 2 x Pt 100 class F0.3 (B) (-70 ... +250 °C) C = 1 x Pt 100 class F0.15 (A) (-70 ... +250 °C) D = 2 x Pt 100 class F0.15 (A) (-70 ... +250 °C) E = 1 x Pt 100 class F0.3 (B) (-70 ... +400 °C) F = 2 x Pt 100 class F0.3 (B) (-70 ... +400 °C) G = 1 x Pt 100 class F0.15 (A) (-70 ... +400 °C) H = 2 x Pt 100 class F0.15 (A) (-70 ... +400 °C) I = 1 x Pt 100 class F0.3 (B) (-70 ... +600 °C) J = 2 x Pt 100 class F0.3 (B) (-70 ... +600 °C) K = 1 x Pt 100 class F0.15 (A) (-70 ... +600 °C) L = 2 x Pt 100 class F0.15 (A) (-70 ... +600 °C) M = 1 x Pt 100 class F0.1 (1/3 DIN) (-70 ... +250 °C) N = 1 x Pt 100 class F0.03 (1/10 DIN) (-70 ... +250 °C) O = 1 x Pt 100 class F0.1 (1/3 DIN) (-70 ... +400 °C) P = 1 x Pt 100 class F0.03 (1/10 DIN) (-70 ... +400 °C) Q = 1 x Pt 100 class cryogenic (-198 ... +100 °C) X = special options	2 = 2-wire 3 = 3-wire 4 ³⁾ = 4-wire	G = screw-cap with chain, aluminium I = screw-cap with chain, stainless steel 1.4401 F = screw-cap, PP K = head screw-cap, stainless steel 1.4401 B = DIN B screwed cover, aluminium Z = BUZ hinged cover, aluminium H = BUZ-H high model with hinged cover, aluminium X = special options	0 = without, only with ceramic terminal A ²⁴⁾ = 5333D transmitter 4 - 20mA 2-wire B ²⁴⁾ = 5337D transmitter 4 - 20mA with HART® protocol 2-wire C ²⁴⁾ = 5350A transmitter Profibus®/Fieldbus® D ⁴⁾ = prepared for subsequent mounting of transmitter, 150 mm flying leads	0 = without Y = acc. to specifications

²⁾ Please specify the measuring range in clear text, while ordering ³⁾ With 1xPt100 only ⁴⁾ For options A, B, C, D choose RTD wiring code '3'

Note: Please specify length 'EL' in clear text, while ordering



Model MWD-D compact with removable measuring insert and extension neck pipe

Specifications:

Sensor element: Pt100 3-wire class F0.3 (B), F0.15 (A), F0.1 (1/3 DIN), F0.03 (1/10 DIN), cryogenic, and others
 Neck pipe HL: 130 mm
 Electrical connection: M20x1.5
 Max. pressure: 30 bar (at 20°C)
 Protection tube: according to DIN 43772
 Material: stainless steel 1.4404 (316L)
 Measuring insert: filled with magnesium oxide (MgO)

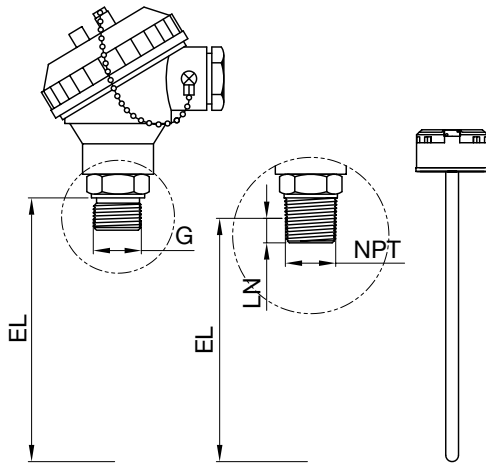
For NPT thread

LN = screw-in-length by hand
 6 mm at 1/4" NPT
 8.1 mm at 1/2" NPT
 8.1 mm at 3/4" NPT
 9 mm at 1" NPT

Model	Protection tube diameter (D)	Process connection	Sensor type/ category	RTD wiring	Terminal head	Head transmitter	Options
MWD-D	6 = tube Ø6 8 = tube Ø8 9 = tube Ø9 A = tube Ø10 C = tube Ø12 X = special options	G08 = G 1/4"-M G15 = G 1/2"-M G20 = G 3/4"-M G25 = G 1"-M N08 = 1/4" NPT-M N15 = 1/2" NPT-M N20 = 3/4" NPT-M N25 = 1" NPT-M F15 = DN15 PN16 F20 = DN20 PN16 F25 = DN25 PN16 F32 = DN32 PN16 F40 = DN40 PN16 F50 = DN50 PN16 H15 = DN15 PN40 H20 = DN20 PN40 H25 = DN25 PN40 H32 = DN32 PN40 H40 = DN40 PN40 H50 = DN50 PN40 A15 = 1/2" CL150 RF A20 = 3/4" CL150 RF A25 = 1" CL150 RF A40 = 1 1/2" CL150 RF A50 = 2" CL150 RF B15 = 1/2" CL300 RF B20 = 3/4" CL300 RF B25 = 1" CL300 RF B40 = 1 1/2" CL300 RF B50 = 2" CL300 RF XXX = special options	A = 1 x Pt 100 class F0.3 (B) (-70...+250°C) B = 2 x Pt 100 class F0.3 (B) (-70...+250°C) C = 1 x Pt 100 class F0.15 (A) (-70...+250°C) D = 2 x Pt 100 class F0.15 (A) (-70...+250°C) E = 1 x Pt 100 class F0.3 (B) (-70...+400°C) F = 2 x Pt 100 class F0.3 (B) (-70...+400°C) G = 1 x Pt 100 class F0.15 (A) (-70...+400°C) H = 2 x Pt 100 class F0.15 (A) (-70...+400°C) I = 1 x Pt 100 class F0.3 (B) (-70...+600°C) J = 2 x Pt 100 class F0.3 (B) (-70...+600°C) K = 1 x Pt 100 class F0.15 (A) (-70...+600°C) L = 2 x Pt 100 class F0.15 (A) (-70...+600°C) M = 1 x Pt 100 class F0.1 (1/3 DIN) (-70...+250°C) N = 1 x Pt 100 class F0.03 (1/10 DIN) (-70...+250°C) O = 1 x Pt 100 class F0.1 (1/3 DIN) (-70...+400°C) P = 1 x Pt 100 class F0.03 (1/10 DIN) (-70...+400°C) Q = 1 x Pt 100 class cryogenic (-198...+100°C) X = special options	For NPT thread LN = screw-in-length by hand 6 mm at 1/4" NPT 8.1 mm at 1/2" NPT 8.1 mm at 3/4" NPT 9 mm at 1" NPT 2 = 2-wire 3 = 3-wire 4 ³⁾ = 4-wire	G = screw-cap with chain, aluminium I = screw-cap with chain, stainless steel 1.4401 F = screw-cap, PP K = head screw-cap, stainless steel 1.4401 B = DIN B screwed cover, aluminium Z = BUZ hinged cover, aluminium H = BUZ-H high model with hinged cover, aluminium X = special options	0 = without, only with ceramic terminal A ²⁴⁾ = 5333D transmitter 4-20mA 2-wire B ²⁴⁾ = 5337D transmitter 4-20mA with HART [®] protocol 2-wire C ²⁴⁾ = 5350A transmitter Profibus [®] /Fieldbus [®] D ⁴⁾ = prepared for subsequent mounting of transmitter, 150 mm flying leads	0 = without Y = acc. to specifications

²⁾ Please specify the measuring range in clear text, while ordering ³⁾ With 1xPt100 only ⁴⁾ For options A, B, C, D choose RTD wiring code '3'

Note: Please specify length 'EL' in clear text, while ordering



Model MWD-F compact fixed thread with removable measuring insert¹⁾, for mounting in thermowell

Specifications:

Sensor element: Pt100 3-wire class F0.3 (B), F0.15 (A), F0.1 (1/3 DIN), F0.03 (1/10 DIN), cryogenic, and others
 Process connection: threaded
 Electrical connection: M20x1.5
 Max. pressure: P_{atm} only with thermowell TWL-0
 Measuring insert: according to DIN 43772, filled with magnesium oxide (MgO)
 Material: stainless steel 1.4404 (316L)

For NPT thread

LN = screw-in-length by hand
 6 mm at 1/4" NPT
 8.1 mm at 1/2" NPT
 8.1 mm at 3/4" NPT
 9 mm at 1" NPT

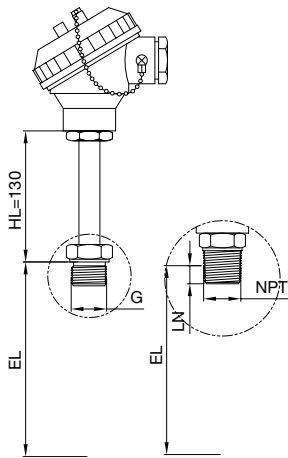
Note: For order details of the thermowell see datasheet TWL-0. Without thermowell atmospheric pressure.

¹⁾ Without protection tube

Model	Measuring insert diameter (d)	Process connection	Sensor type/ category	RTD wiring	Terminal head	Head transmitter	Options
MWD-F	3 = tube Ø3	G08 = G 1/4"-M G15 = G 1/2"-M G20 = G 3/4"-M G25 = G 1"-M	A = 1 x Pt100 class F0.3 (B) (-70...+250°C) B = 2 x Pt100 class F0.3 (B) (-70...+250°C) C = 1 x Pt100 class F0.15 (A) (-70...+250°C) D = 2 x Pt100 class F0.15 (A) (-70...+250°C) E = 1 x Pt100 class F0.3 (B) (-70...+400°C) F = 2 x Pt100 class F0.3 (B) (-70...+400°C) G = 1 x Pt100 class F0.15 (A) (-70...+400°C) H = 2 x Pt100 class F0.15 (A) (-70...+400°C) I = 1 x Pt100 class F0.3 (B) (-70...+600°C) J = 2 x Pt100 class F0.3 (B) (-70...+600°C) K = 1 x Pt100 class F0.15 (A) (-70...+600°C) L = 2 x Pt100 class F0.15 (A) (-70...+600°C) M = 1 x Pt100 class F0.1 (1/3 DIN) (-70...+250°C) N = 1 x Pt100 class F0.03 (1/10 DIN) (-70...+250°C) O = 1 x Pt100 class F0.1 (1/3 DIN) (-70...+400°C) P = 1 x Pt100 class F0.03 (1/10 DIN) (-70...+400°C) Q = 1 x Pt100 class cryogenic (-198...+100°C) X = special options	2 = 2-wire 3 = 3-wire 4 ³⁾ = 4-wire	G = screw-cap with chain, aluminium I = screw-cap with chain, stainless steel 1.4401 F = screw-cap, PP K = head screw-cap, stainless steel 1.4401 B = DIN B screwed cover, aluminium Z = BUZ hinged cover, aluminium H = BUZ-H high model with hinged cover, aluminium X = special options	0 = without, only with ceramic terminal A ²⁴⁾ = 5333D transmitter 4-20mA 2-wire B ²⁴⁾ = 5337D transmitter 4-20mA with HART® protocol 2-wire C ²⁴⁾ = 5350A transmitter Profibus®/Fieldbus® D ⁴⁾ = prepared for subsequent mounting of transmitter, 150 mm flying leads	0 = without Y = acc. to specifications
	4 = tube Ø4 5 = tube Ø5 6 = tube Ø6 8 = tube Ø8 X = special options						

²⁾ Please specify the measuring range in clear text, while ordering ³⁾ With 1xPt100 only ⁴⁾ For options A, B, C, D choose RTD wiring code '3'

Note: Please specify length 'EL' in clear text, while ordering



Model MWD-G compact with removable measuring insert¹⁾ and neck pipe, for mounting in thermowell Specifications:

Sensor element: Pt100 3-wire class F0.3 (B), F0.15 (A), F0.1 (1/3 DIN), F0.03 (1/10 DIN), cryogenic, and others
 Neck pipe HL: 130 mm
 Electrical connection: M20x1.5
 Max. pressure: P_{atm} only with thermowell TWL-0
 Measuring insert: according to DIN 43772, filled with magnesium oxide (MgO) stainless steel 1.4404 (316L)

Material:
For NPT thread
 LN = screw-in-length by hand
 6 mm at 1/4" NPT
 8.1 mm at 1/2" NPT
 8.1 mm at 3/4" NPT
 9 mm at 1" NPT

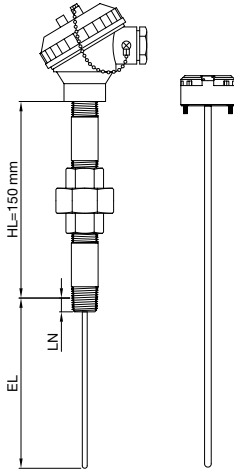
Note: For order details of the thermowell see datasheet TWL-0. Without thermowell atmospheric pressure.

¹⁾ Without protection tube

Model	Measuring insert diameter (d)	Process connection	Sensor type/ category	RTD wiring	Terminal head	Head transmitter	Options
MWD-G	3 = tube Ø3 4 = tube Ø4 5 = tube Ø5 6 = tube Ø6 8 = tube Ø8 X = special options	G08 = G 1/4-M G15 = G 1/2-M G20 = G 3/4-M G25 = G 1-M N08 = 1/4" NPT-M N15 = 1/2" NPT-M N20 = 3/4" NPT-M N25 = 1" NPT-M XXX = special options	A = 1 x Pt100 class F0.3 (B) (-70...+250°C) B = 2 x Pt100 class F0.3 (B) (-70...+250°C) C = 1 x Pt100 class F0.15 (A) (-70...+250°C) D = 2 x Pt100 class F0.15 (A) (-70...+250°C) E = 1 x Pt100 class F0.3 (B) (-70...+400°C) F = 2 x Pt100 class F0.3 (B) (-70...+400°C) G = 1 x Pt100 class F0.15 (A) (-70...+400°C) H = 2 x Pt100 class F0.15 (A) (-70...+400°C) I = 1 x Pt100 class F0.3 (B) (-70...+600°C) J = 2 x Pt100 class F0.3 (B) (-70...+600°C) K = 1 x Pt100 class F0.15 (A) (-70...+600°C) L = 2 x Pt100 class F0.15 (A) (-70...+600°C) M = 1 x Pt100 class F0.1 (1/3 DIN) (-70...+250°C) N = 1 x Pt100 class F0.03 (1/10 DIN) (-70...+250°C) O = 1 x Pt100 class F0.1 (1/3 DIN) (-70...+400°C) P = 1 x Pt100 class F0.03 (1/10 DIN) (-70...+400°C) Q = 1 x Pt100 class cryogenic (-198...+100°C) X = special options	2 = 2-wire 3 = 3-wire 4 ³⁾ = 4-wire	G = screw-cap with chain, aluminium I = screw-cap with chain, stainless steel 1.4401 F = screw-cap, PP K = head screw-cap, stainless steel 1.4401 B = DIN B screwed cover, aluminium Z = BUZ hinged cover, aluminium H = BUZ-H high model with hinged cover, aluminium X = special options	0 = without, only with ceramic terminal A ²⁴⁾ = 5333D transmitter 4-20mA 2-wire B ²⁴⁾ = 5337D transmitter 4-20mA with HART® protocol 2-wire C ²⁴⁾ = 5350A transmitter Profibus®/Fieldbus® D ⁴⁾ = prepared for subsequent mounting of transmitter, 150 mm flying leads	0 = without Y = acc. to specifications

²⁾ Please specify the measuring range in clear text, while ordering ³⁾ With 1xPt100 only ⁴⁾ For options A, B, C, D choose RTD wiring code '3'

Note: Please specify length 'EL' in clear text, while ordering



Model MWD-W compact with removable measuring insert¹⁾ and neck pipe (nipple union nipple), for mounting in thermowell

Specifications:

Sensor element: Pt100 3-wire class F0.3 (B), F0.15 (A), F0.1 (1/3 DIN), F0.03 (1/10 DIN), cryogenic, and others
 Neck pipe HL: 150 mm, (nipple union nipple)
 Electrical connection: M20x1.5
 Max. pressure: P_{atm} only with thermowell TWL-0
 Measuring insert: according to DIN 43772, filled with magnesium oxide (MgO)
 Material: stainless steel 1.4404 (316L)

For NPT thread

LN = screw-in-length by hand
 8.1 mm at 1/2" NPT

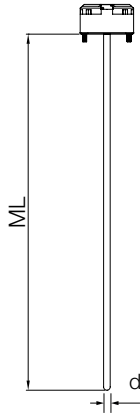
Note: For order details of the thermowell see datasheet TWL-0.
 Without thermowell atmospheric pressure.

¹⁾ Without protection tube

Model	Measuring insert diameter (d)	Process connection	Sensor type / category	RTD wiring	Terminal head	Head transmitter	Options
MWD-W	3 = tube Ø3	N15 = 1/2" NPT-M XXX = special options	A = 1 x Pt 100 class F0.3 (B) (-70...+250 °C)	2 = 2-wire 3 = 3-wire 4 ³⁾ = 4-wire	G = screw-cap with chain, aluminium I = screw-cap with chain, stainless steel 1.4401 F = screw-cap, PP K = head screw-cap, stainless steel 1.4401 B = DIN B screwed cover, aluminium Z = BUZ hinged cover, aluminium H = BUZ-H high model with hinged cover, aluminium E ¹⁾ = aluminium head with LCD display and HART [®] transmitter included X = special options	0 = without, only with ceramic terminal A ²⁾⁴⁾ = 5333D transmitter 4 - 20 mA 2-wire B ²⁾⁴⁾ = 5337D transmitter 4 - 20 mA with HART [®] protocol 2-wire C ²⁾⁴⁾ = 5350A transmitter Profibus [®] /Fieldbus [®] D ⁴⁾ = prepared for subsequent mounting of transmitter, 150 mm flying leads	0 = without Y = acc. to specifications
	4 = tube Ø4		B = 2 x Pt 100 class F0.3 (B) (-70...+250 °C)				
	5 = tube Ø5		C = 1 x Pt 100 class F0.15 (A) (-70...+250 °C)				
	6 = tube Ø6		D = 2 x Pt 100 class F0.15 (A) (-70...+250 °C)				
	8 = tube Ø8		E = 1 x Pt 100 class F0.3 (B) (-70...+400 °C)				
	X = special options		F = 2 x Pt 100 class F0.3 (B) (-70...+400 °C)				
			G = 1 x Pt 100 class F0.15 (A) (-70...+400 °C)				
			H = 2 x Pt 100 class F0.15 (A) (-70...+400 °C)				
			I = 1 x Pt 100 class F0.3 (B) (-70...+600 °C)				
			J = 2 x Pt 100 class F0.3 (B) (-70...+600 °C)				
			K = 1 x Pt 100 class F0.15 (A) (-70...+600 °C)				
			L = 2 x Pt 100 class F0.15 (A) (-70...+600 °C)				
			M = 1 x Pt 100 class F0.1 (1/3 DIN) (-70...+250 °C)				
			N = 1 x Pt 100 class F0.03 (1/10 DIN) (-70...+250 °C)				
			O = 1 x Pt 100 class F0.1 (1/3 DIN) (-70...+400 °C)				
	P = 1 x Pt 100 class F0.03 (1/10 DIN) (-70...+400 °C)						
	Q = 1 x Pt 100 class cryogenic (-198...+100 °C)						
	X = special options						

¹⁾ Only with head transmitter option 0 ²⁾ Please specify the measuring range in clear text, while ordering
³⁾ With 1xPt100 only ⁴⁾ For options A, B, C, D choose RTD wiring code '3'

Note: Please specify length 'EL' in clear text, while ordering



Model MWD-M measuring insert

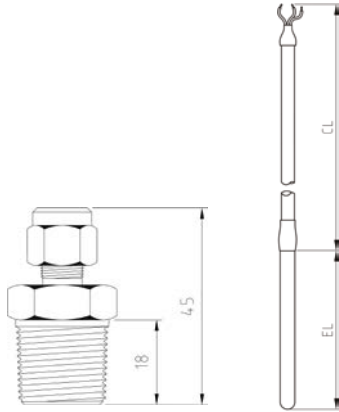
Specifications:

- Sensor element: Pt100 3-wire class F0.3 (B), F0.15 (A), F0.1 (1/3 DIN), F0.03 (1/10 DIN), cryogenic, and others
- Head transmitter: ceramic terminal block or transmitter
- Max. pressure: atmospheric pressure
- Measuring insert: according to DIN 43772, filled with magnesium oxide (MgO)
- Material: stainless steel 1.4404 (316L)

Model	Measuring insert diameter (d)	Process connection	Sensor type/ category	RTD wiring	Terminal head	Head transmitter	Options
MWD-M	3 = tube Ø3	000 = without	A = 1 x Pt 100 class F0.3 (B) (-70 ... +250 °C)	2 = 2-wire 3 = 3-wire 4 ¹⁾ = 4-wire	0 = without	0 = without, only with ceramic terminal A²⁾³⁾ = 5333D transmitter 4 - 20mA 2-wire B²⁾³⁾ = 5337D transmitter 4 - 20mA with HART [®] protocol 2-wire C²⁾³⁾ = 5350A transmitter Profibus [®] /Fieldbus [®] D³⁾ = prepared for subsequent mounting of transmitter, 150 mm flying leads	0 = without Y = acc. to specifications
	4 = tube Ø4		B = 2 x Pt 100 class F0.3 (B) (-70 ... +250 °C)				
	5 = tube Ø5		C = 1 x Pt 100 class F0.15 (A) (-70 ... +250 °C)				
	6 = tube Ø6		D = 2 x Pt 100 class F0.15 (A) (-70 ... +250 °C)				
	8 = tube Ø8		E = 1 x Pt 100 class F0.3 (B) (-70 ... +400 °C)				
	X = special options		F = 2 x Pt 100 class F0.3 (B) (-70 ... +400 °C)				
			G = 1 x Pt 100 class F0.15 (A) (-70 ... +400 °C)				
			H = 2 x Pt 100 class F0.15 (A) (-70 ... +400 °C)				
			I = 1 x Pt 100 class F0.3 (B) (-70 ... +600 °C)				
			J = 2 x Pt 100 class F0.3 (B) (-70 ... +600 °C)				
			K = 1 x Pt 100 class F0.15 (A) (-70 ... +600 °C)				
			L = 2 x Pt 100 class F0.15 (A) (-70 ... +600 °C)				

¹⁾ With 1xPt100 only ²⁾ Please specify measuring range in clear text while ordering. Only possible for wiring code '3'
³⁾ For options A, B, C, D choose RTD wiring code '3'

Note: Please specify length 'ML' in clear text



Model MWD-S

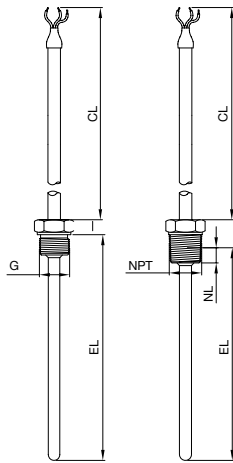
Specifications:

Limited temperature depending on the selected cable
 Sensor element: Pt100 3-wire class F0.3 (B), F0.15 (A), F0.1 (1/3 DIN), F0.03 (1/10 DIN), cryogenic, and others
 Max. pressure: 30 bar (at 20°C) only metallic immersion
 Protection tube: according to DIN 43763
 Material: stainless steel 1.4404 (SS316L)
 Max. temp. cable: PVC max. 80°C
 silicone max. 200°C
 PTFE max. 220°C
 fibreglass 350°C

Model	Protection tube diameter ²⁾	Process connection	Sensor type/ category	RTD wiring	Cable ²⁾	Terminal	Options
MWD-S	3 = tube Ø3 ¹⁾ 4 = tube Ø4 ¹⁾ 5 = tube Ø5 6 = tube Ø6 8 = tube Ø8 X = special options	000 = without K15 = compression fitting G 1/2-M C15 = compression fitting 1/2" NPT-M XXX = special options	A = 1 x Pt 100 class F0.3 (B) (-70 ... +250 °C) B = 2 x Pt 100 class F0.3 (B) (-70 ... +250 °C) C = 1 x Pt 100 class F0.15 (A) (-70 ... +250 °C) D = 2 x Pt 100 class F0.15 (A) (-70 ... +250 °C) E = 1 x Pt 100 class F0.3 (B) (-70 ... +400 °C) F = 2 x Pt 100 class F0.3 (B) (-70 ... +400 °C) G = 1 x Pt 100 class F0.15 (A) (-70 ... +400 °C) H = 2 x Pt 100 class F0.15 (A) (-70 ... +400 °C) M = 1 x Pt 100 class F0.1 (1/3 DIN) (-70 ... +250 °C) N = 1 x Pt 100 class F0.03 (1/10 DIN) (-70 ... +250 °C) O = 1 x Pt 100 class F0.1 (1/3 DIN) (-70 ... +400 °C) P = 1 x Pt 100 class F0.03 (1/10 DIN) (-70 ... +400 °C) Q = 1 x Pt 100 class cryogenic (-198 ... +100 °C) X = special options	2 = 2-wire 3 = 3-wire 4 = 4-wire	S = silicone T = teflon P = PVC F = fibreglass with steel braid	8 = M16x1.5 male thread, with 150 mm flying leads 0 = without X = special connector	0 = without 1 = with spring strain relief Y = according to specifications

¹⁾ With pot seal Ø6 x 40 for crimping cable

²⁾ Please specify protection tube fitting length »EL« and cable length »CL« in clear text



Model MWD-N

Specifications:

Limited temperature depending on the selected cable
 Sensor element: Pt100 3-wire class F0.3 (B), F0.15 (A), F0.1 (1/3 DIN), F0.03 (1/10 DIN), cryogenic, and others

Max. pressure: 30 bar (at 20 °C) only metallic immersion

Protection tube: according to DIN 43763

Process connection: thread

Material: stainless steel 1.4404 (SS316L)

Max. temp. cable: PVC max. 80°C, silicone max. 200°C
 PTFE max. 220°C, fibreglass 350°C

For NPT thread

LN = screw-in-length by hand

6 mm at 1/4" NPT

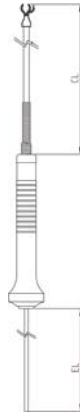
8.1 mm at 1/2" NPT

8.1 mm at 3/4" NPT

9 mm at 1" NPT

Model	Protection tube diameter ¹⁾	Process connection	Sensor type/ category	RTD wiring	Cable ¹⁾	Terminal	Options
MWD-N	3 = tube Ø3	G08 = G 1/4 M G15 = G 1/2 M G20 = G 3/4 M G25 = G 1 M N08 = 1/4" NPT-M N15 = 1/2" NPT-M N20 = 3/4" NPT-M N25 = 1" NPT-M XXX = special options	A = 1 x Pt100 class F0.3 (B) (-70... +250 °C) B = 2 x Pt100 class F0.3 (B) (-70... +250 °C) C = 1 x Pt100 class F0.15 (A) (-70... +250 °C) D = 2 x Pt100 class F0.15 (A) (-70... +250 °C) E = 1 x Pt100 class F0.3 (B) (-70... +400 °C) F = 2 x Pt100 class F0.3 (B) (-70... +400 °C) G = 1 x Pt100 class F0.15 (A) (-70... +400 °C) H = 2 x Pt100 class F0.15 (A) (-70... +400 °C) M = 1 x Pt100 class F0.1 (1/3 DIN) (-70... +250 °C) N = 1 x Pt100 class F0.03 (1/10 DIN) (-70... +250 °C) O = 1 x Pt100 class F0.1 (1/3 DIN) (-70... +400 °C) P = 1 x Pt100 class F0.03 (1/10 DIN) (-70... +400 °C) Q = 1 x Pt100 class cryogenic (-198... +100 °C) X = special options	2 = 2-wire 3 = 3-wire 4 = 4-wire	S = silicone T = teflon P = PVC F = fibreglass with steel braid	0 = without X = special connector	0 = without 1 = with spring strain relief Y = according to specifications

¹⁾ Please specify protection tube fitting length »EL« and cable length »CL« in clear text

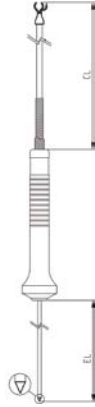


Model MWD-I Specifications:

Limited temperature depending on the selected cable
 Sensor element: Pt100 3-wire class F0.3 (B), F0.15 (A), F0.1 (1/3 DIN), F0.03 (1/10 DIN), cryogenic, and others
 Max. pressure: atmospheric pressure
 Handle: PVC material max. 80°C
 Protection tube: according to DIN 43763 stainless steel 1.4404 (SS316L)
 Material: stainless steel 1.4404 (SS316L)
 Max. temp. cable: PVC max. 80°C
 silicone max. 200°C
 PTFE max. 220°C
 fibreglass 350°C

Model	Protection tube diameter ¹⁾	Process connection	Sensor type/ category	RTD wiring	Cable ¹⁾	Terminal	Options
MWD-I	3 = tube Ø3 4 = tube Ø4 5 = tube Ø5 6 = tube Ø6 8 = tube Ø8 X = special options	000 = PVC handle XXX = special options	<p>A = 1 x Pt 100 class F0.3 (B) (-70...+250°C) B = 2 x Pt 100 class F0.3 (B) (-70...+250°C) C = 1 x Pt 100 class F0.15 (A) (-70...+250°C) D = 2 x Pt 100 class F0.15 (A) (-70...+250°C) E = 1 x Pt 100 class F0.3 (B) (-70...+400°C) F = 2 x Pt 100 class F0.3 (B) (-70...+400°C) G = 1 x Pt 100 class F0.15 (A) (-70...+400°C) H = 2 x Pt 100 class F0.15 (A) (-70...+400°C) M = 1 x Pt 100 class F0.1 (1/3 DIN) (-70...+250°C) N = 1 x Pt 100 class F0.03 (1/10 DIN) (-70...+250°C) O = 1 x Pt 100 class F0.1 (1/3 DIN) (-70...+400°C) P = 1 x Pt 100 class F0.03 (1/10 DIN) (-70...+400°C) Q = 1 x Pt 100 class cryogenic (-198...+100°C) X = special options</p>	2 = 2-wire 3 = 3-wire 4 = 4-wire	<p>S = silicone T = teflon P = PVC F = fibreglass with steel braid</p>	0 = without X = special connector	0 = without Y = according to specifications

¹⁾ Please specify protection tube fitting length »EL« and cable length »CL« in clear text

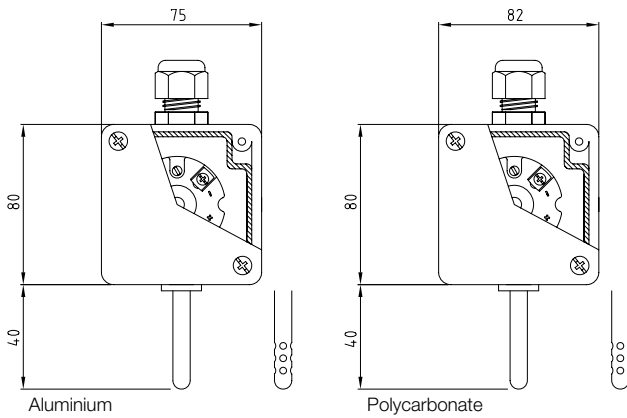


Model MWD-P Specifications:

Limited temperature depending on the selected cable
 Sensor element: Pt100 3-wire class F0.3 (B), F0.15 (A), F0.1 (1/3 DIN), F0.03 (1/10 DIN), cryogenic, and others
 Max. pressure: atmospheric pressure
 Handle: PVC material max. 80°C
 Protection tube: according to DIN 43763 stainless steel 1.4404 (SS316L)
 Material:
 Max. temp. cable: PVC max. 80°C
 silicone max. 200°C
 PTFE max. 220°C
 fibreglass 350°C

Model	Protection tube diameter ¹⁾	Process connection	Sensor type / category	RTD wiring	Cable ¹⁾	Terminal	Options
MWD-P	3 = tube Ø3 4 = tube Ø4 5 = tube Ø5 6 = tube Ø6 8 = tube Ø8 X = special options	000 = PVC handle XXX = special options	A = 1 x Pt 100 class F0.3 (B) (-70 ... +250 °C) B = 2 x Pt 100 class F0.3 (B) (-70 ... +250 °C) C = 1 x Pt 100 class F0.15 (A) (-70 ... +250 °C) D = 2 x Pt 100 class F0.15 (A) (-70 ... +250 °C) E = 1 x Pt 100 class F0.3 (B) (-70 ... +400 °C) F = 2 x Pt 100 class F0.3 (B) (-70 ... +400 °C) G = 1 x Pt 100 class F0.15 (A) (-70 ... +400 °C) H = 2 x Pt 100 class F0.15 (A) (-70 ... +400 °C) M = 1 x Pt 100 class F0.1 (1/3 DIN) (-70 ... +250 °C) N = 1 x Pt 100 class F0.03 (1/10 DIN) (-70 ... +250 °C) O = 1 x Pt 100 class F0.1 (1/3 DIN) (-70 ... +400 °C) P = 1 x Pt 100 class F0.03 (1/10 DIN) (-70 ... +400 °C) Q = 1 x Pt 100 class cryogenic (-198 ... +100 °C) X = special options	2 = 2-wire 3 = 3-wire 4 = 4-wire	S = silicone T = teflon P = PVC F = fibreglass with steel braid	0 = without X = special connector	0 = without Y = according to specifications

¹⁾ Please specify protection tube fitting length »EL« and cable length »CL« in clear text



Model MWD-T

Specifications:

Sensor element: Pt100 3-wire class F0.3 (B), F0.15 (A), F0.1 (1/3 DIN), F0.03 (1/10 DIN)
 Max. pressure: atmospheric pressure
 Connection head: aluminium box or polycarbonate box
 Protection type: without holes outdoor installation
 with holes indoor installation
 Protection tube: according to DIN 43763
 Max. temper. box: aluminium max. 80°C
 polycarbonate max. 80°C

Model	Protection tube diameter	Process connection	Sensor type/ category	RTD wiring	Terminal head	Head transmitter	Options
MWD-T	6 = tube Ø6 H = Ø6 with holes X = special options	000 = without	A = 1 x Pt100 class F0.3 (B) (-70...+250 °C) B = 2 x Pt100 class F0.3 (B) (-70...+250 °C) C = 1 x Pt100 class F0.15 (A) (-70...+250 °C) D = 2 x Pt100 class F0.15 (A) (-70...+250 °C) X = special options	2 = 2-wire 3 = 3-wire 4 = 4-wire	A = aluminium P = poly-carbonate X = special options	0 = ceramic terminal A = 5333D transmitter 4-20mA 2-wire B = 5337D transmitter 4-20mA with HART® protocol 2-wire C = 5350A transmitter 4-20mA Profibus®/ Fieldbus® D ¹⁾ = prepared for subsequent mounting of transmitter, 150 mm flying leads	0 = without Y = according to specifications

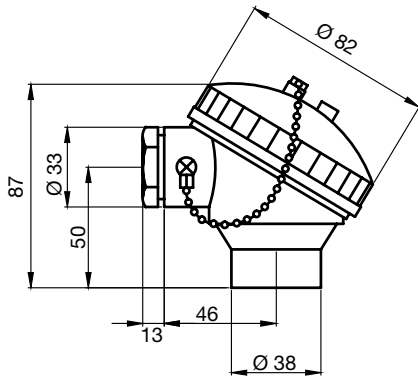
¹⁾ For options A, B, C, D choose RTD wiring code »3«

Accessories / Options

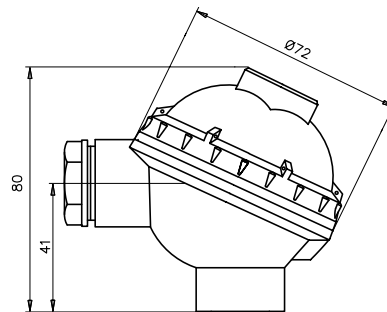
Model	Description
DOK-FR05	3-point calibration report (additional points possible)
DOK-FR03	Inspection certificate 3.1

Terminal Heads

Option G Housing material: aluminium
I Housing material: stainless steel 1.4401
 Protection: IP 65

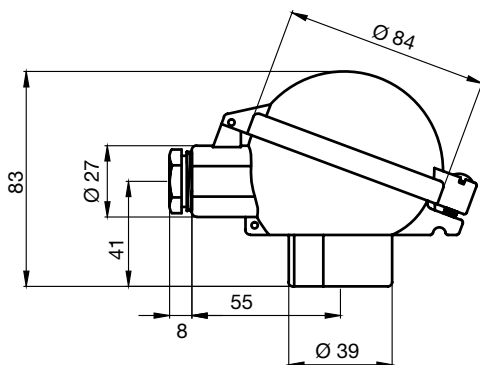


Option F Housing material: PP
 Protection: IP 65

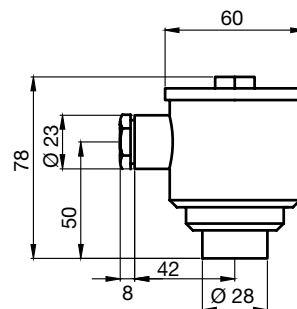


Option Z Housing material: Aluminium
 Protection: IP 65

Note: IP protection depends on cable gland.
 Higher IP on request.

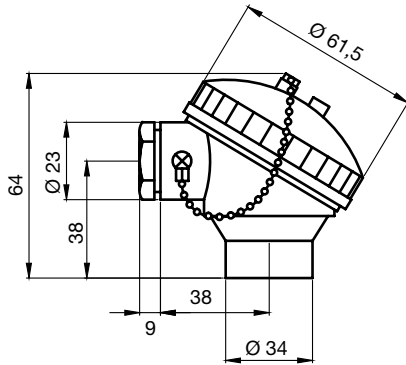


Option K Housing material: stainless steel 1.4401
 Protection: IP 65

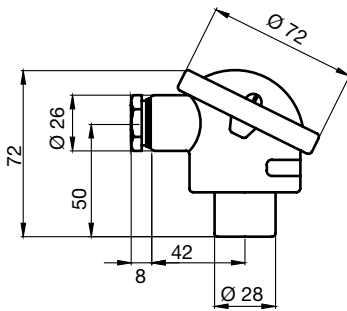


Terminal Heads (continuation)

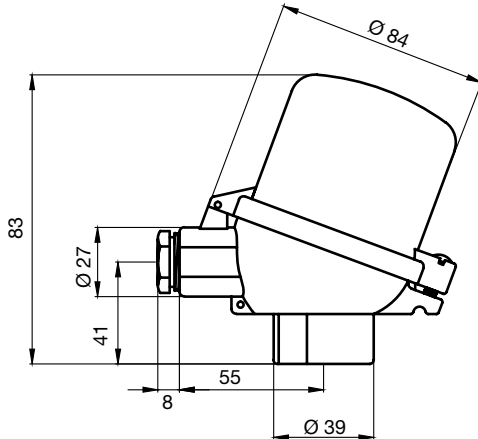
Option M Housing material: aluminium
Protection: IP 65



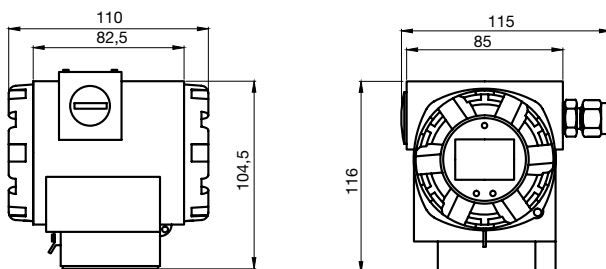
Option B Housing material: aluminium
Protection: IP 54



Option H Housing material: aluminium
Protection: IP 65



Option E



Main features

- High accuracy 0.02% of span for Pt100 sensor
- Sensor error detection according to the guidelines in NAMUR NE 89
- Backlight LCD-Display

Technical Details

- Housing material: aluminium
 Supply voltage: 7.5 ... 45 V_{DC}
 Output signal: 4 ... 20 mA
 Load: max. (V_{supply} 7.5 V)/0.022 A
 Signal on alarm: underranging: linear drop to 3.8 mA
 overranging: linear rise to 20.5 mA
 sensor break, sensor open-circuit: 3.6 mA or 22 mA
- Galvanic isolation: 2000 V_{AC} (input/output)
 Response time: 1 s
 Long term stability: RTDs ±0.1% of reading or 0.1 °C
 Switch delay: ≤5 s
 Influence of ambient: negligible
 Load influence: negligible
 Power supply influence: negligible
 Filter configurating: 0 ... 160 µA
 Resolution: 0.3 µA
 Cable entry: M20 internal thread
 Ambient temperature: -40 ... +85 °C (-40 ... 185 °F)
 Storage temperature: -40 ... +100 °C (-40 ... 212 °F)
 Condensation: allowable
 Protection: IP 65
 Shock and vibration resistance: 4g/2 to 150 Hz as per IEC 60068-26
 LCD-Display, with backlight: visible range 32.5 x 22.5 mm;
 main display: 5-digit, 7-segment, digit height 8 mm,
 range: -19999 ... 99999
 additional display: 8-digit 14 segment, digit height 5 mm for sensor type and units

Electrical Connection

